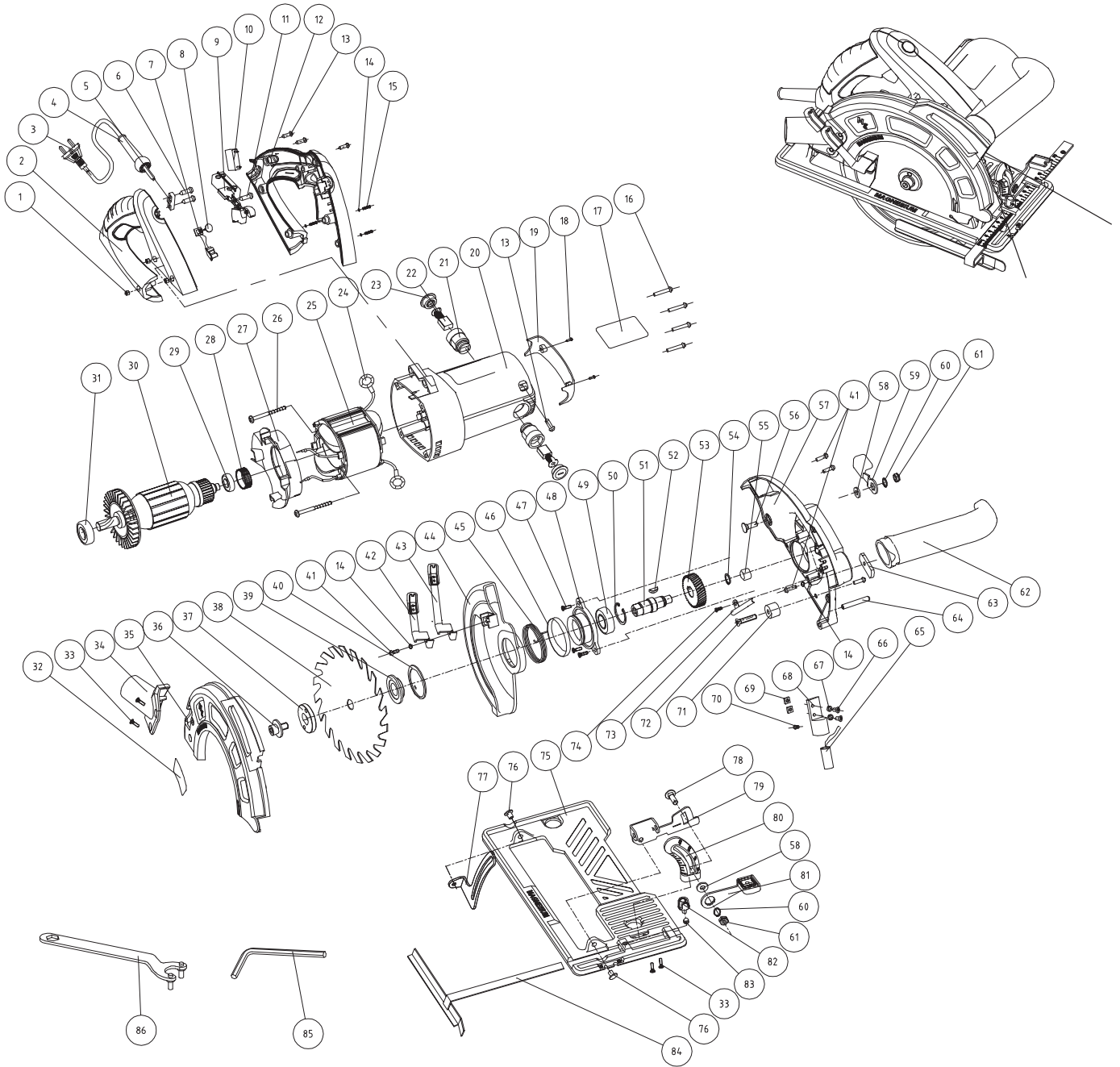


# Circular Saw - TA184CSL



# Circular Saw - TA184CSL

Diag. Ref.	Part No.	Description	Quantity	Comments
1	TA184CSL001	NUT	3	
2	TA184CSL002	RIGHT HANDLE	1	
3	TA184CSL003	CABLE AND PLUG	1	
4	TA184CSL004	CORD PROTECTOR	1	
5	TA184CSL005	CORD CLAMP	1	
6	TA184CSL006	SCREW	2	
7	TA184CSL007	TRANSFORMER	1	
8	TA184CSL008	LASER SWITCH	1	
9	TA184CSL009	SWITCH	1	
10	TA184CSL010	CAPACITOR	1	
11	TA184CSL011	SCREW	1	
12	TA184CSL012	LEFT HANDLE	1	
13	TA184CSL013	SCREW	4	
14	TA184CSL014	SPRING WASHER	8	
15	TA184CSL015	SCREW	3	
16	TA184CSL016	SCREW	4	
17	TA184CSL017	NAMEPLATE	1	
18	TA184CSL018	SCREW	2	
19	TA184CSL019	MOTOR END CAP	1	
20	TA184CSL020	MOTOR HOUSING	1	
21	TA184CSL021	BRUSH HOLDER	2	
22	TA184CSL022	CARBON BRUSH	2	
23	TA184CSL023	BRUSH CAP	2	
24	TA184CSL024	SPRING	2	
25	TA184CSL025	FIELD	1	
26	TA184CSL026	SCREW	2	
27	TA184CSL027	BAFFLE	1	
28	TA184CSL028	BEARING BUSH	1	
29	TA184CSL029	BEARING 609-2Z	1	
30	TA184CSL030	ARMATURE	1	
31	TA184CSL031	BEARING 6201-2Z	1	
32	TA184CSL032	BRAND LABLE	1	
33	TA184CSL033	SCREW	4	
34	TA184CSL034	DUST EXTRACTION ADAPTOR	1	
35	TA184CSL035	GUARD	1	
36	TA184CSL036	BLADE BOLT	1	
37	TA184CSL037	OUTER FLANGE	1	
38	TA184CSL038	SAW BLADE	1	
39	TA184CSL039	INNER FLANGE	1	
40	TA184CSL040	RING	1	
41	TA184CSL041	SCREW	5	
42	TA184CSL042	GUARD LEVER (SHORT)	1	
43	TA184CSL043	GUARD LEVER (LONG)	1	
44	TA184CSL044	LOWER GUARD	1	
45	TA184CSL045	TORSIONAL SPRING	1	
46	TA184CSL046	SLEEVE	1	
47	TA184CSL047	SCREW	3	
48	TA184CSL048	FLANGE	1	
49	TA184CSL049	BEARING 6003-2RS	1	
50	TA184CSL050	CLIP	1	
51	TA184CSL051	SPINDLE	1	

# Circular Saw - TA184CSL

Diag. Ref.	Part No.	Description	Quantity	Comments
52	TA184CSL052	KEY	1	
53	TA184CSL053	GEAR	1	
54	TA184CSL054	CLIP	1	
55	TA184CSL055	NEEDLE BEARING	1	
56	TA184CSL056	BOLT	1	
57	TA184CSL057	BACK GUARD	1	
58	TA184CSL058	WASHER FLAT	2	
59	TA184CSL059	DEPTH LEVER	1	
60	TA184CSL060	CLIP	2	
61	TA184CSL061	NUT	1	
62	TA184CSL062	SIDE HANDLE	1	
63	TA184CSL063	BOARD	1	
64	TA184CSL064	SPLIT PIN	1	
65	TA184CSL065	LASER	1	
66	TA184CSL066	SCREW	2	
67	TA184CSL067	SPRING WASHER	2	
68	TA184CSL068	LASER HOLDER	1	
69	TA184CSL069	SQUARE NUT	2	
70	TA184CSL070	BOLT	1	
71	TA184CSL071	RUBBER SPACER	1	
72	TA184CSL072	SCREW	1	
73	TA184CSL073	LASER CLAMP	1	
74	TA184CSL074	SCREW	1	
75	TA184CSL075	BASE PLATE	1	
76	TA184CSL076	RIVET	2	
77	TA184CSL077	DEPTH ADJUST BRACKET	1	
78	TA184CSL078	SQUARE NECK BOLT	1	
79	TA184CSL079	BRACKET	1	
80	TA184CSL080	ANGLE BRACKET	1	
81	TA184CSL081	LEVER	1	
82	TA184CSL082	KNOB	1	
83	TA184CSL083	SPRING	1	
84	TA184CSL084	PARALLEL GUIDE	1	
85	TA184CSL085	ALLEN KEY	1	
86	TA184CSL086	SPANNER	1	
87	TA184CSL087	CLAMP SPANNER	1	